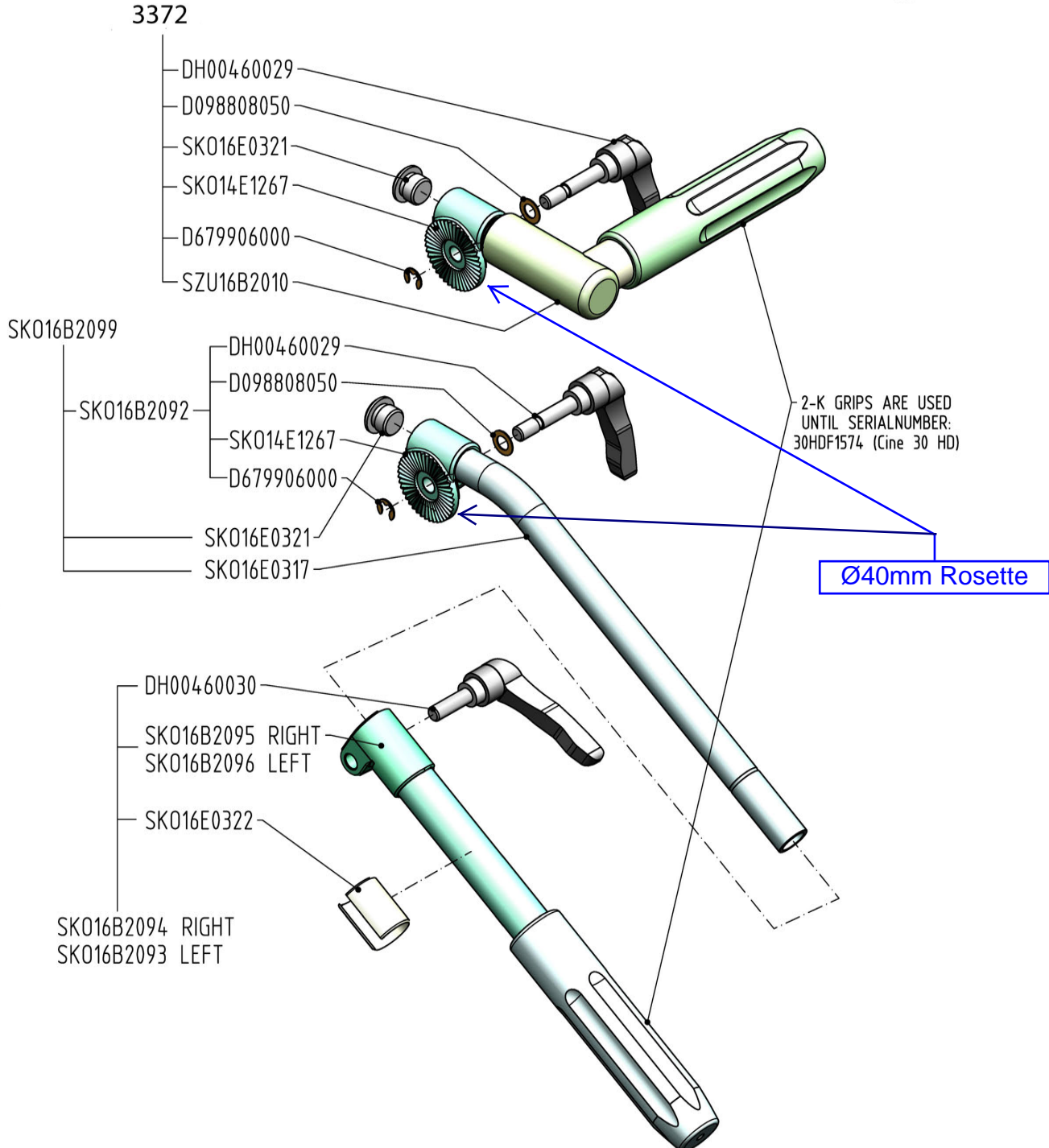


Pan Bar 3370, 3371, 3372 (new version)



Schwenkarm rechts/links + Winkelhandgriff
Pan bar right/left + front pan bar
3370, 3371 + 3372

Pan Bar (new version)

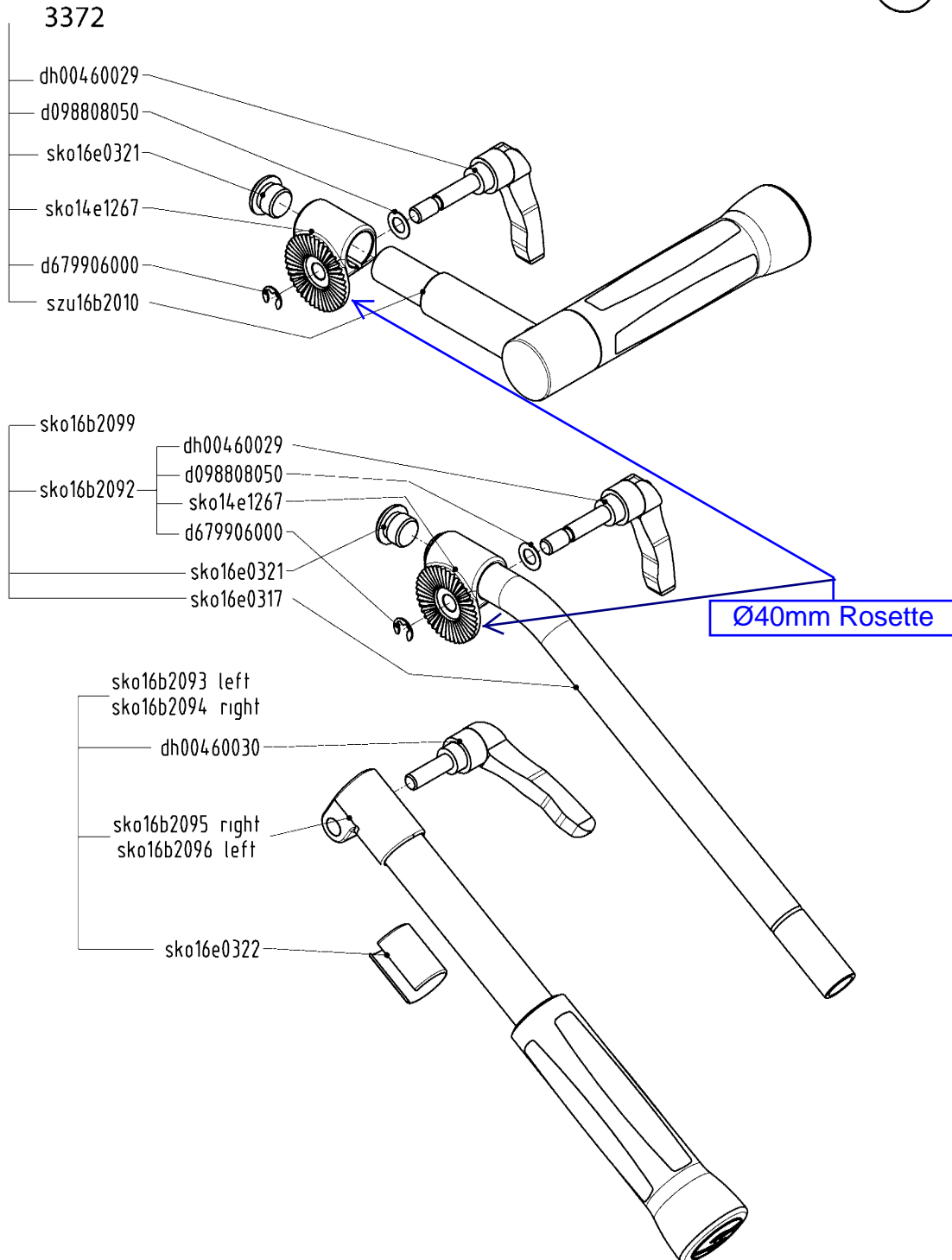
11.6.2013 FRIEDL T.
SK016P2000_EX2



Pan Bar 3370, 3371, 3372 (new version)

Item	RPL	Part www.TheBroadcastShop.com	Qty per product
3370		3370 Pan bar HD right (telescopic)	1
3371		3371 Pan bar HD left (telescopic)	1
3372		Front pan bar HD	1
D098808050		D098808050 Shim washer 8*14*0.5	1
D098808050		D098808050 Shim washer 8*14*0.5	1
D679906000		D679906000 Lock washer	1
D679906000		D679906000 Lock washer	1
DH00460029		DH00460029 Klemmhebel	1
DH00460029		DH00460029 Klemmhebel	1
DH00460030		DH00460030 Klemmhebel M8x25	1
SKO14E1267		SKO14E1267 Toothed clamp processed	1
SKO14E1267		SKO14E1267 Toothed clamp processed	1
SKO16B2092		SKO16B2092 Toothed clamp compl.	1
SKO16B2093		SKO16B2093 Pan bar HD left back section	1
SKO16B2094		SKO16B2094 Pan bar HD back section right	1
SKO16B2095		SKO16B2095 Extension tupe assy right	1
SKO16B2096		SKO16B2096 Extension tube assy Left	1
SKO16B2099		SKO16B2099 Schwenkarm HD Vorderteil	1
SKO16E0317		SKO16E0317 Pan bar lever	1
SKO16E0321		SKO16E0321 SealingEnd screw	1
SKO16E0321		SKO16E0321 SealingEnd screw	1
SKO16E0322		SKO16E0322 Sleeve	1
SZU16B2010		SZU16B2010 Winkelhandgriff	1
SZU16P2000		SZU16P2000 Front pan bar	1

Pan Bar 3370, 3371, 3372 (old version)



Pan Bar (old version)

19.7.06 Rasskapf
sko16p2000-00-exp02

Schwenkarm rechts/links + Winkelhandgriff
Pan bar right/left + front pan bar

3370, 3371 + 3372



Pan Bar 3370, 3371, 3372 (old version)

Item	RPL	Part www.TheBroadcastShop.com	Qty per product
3370		3370 Pan bar HD right (telescopic)	1
3371		3371 Pan bar HD left (telescopic)	1
3372		Front pan bar HD	1
d098808050		D098808050 Shim washer 8*14*0.5	1
d098808050		D098808050 Shim washer 8*14*0.5	1
d679906000		D679906000 Lock washer	1
d679906000		D679906000 Lock washer	1
dh00460029		DH00460029 Klemmhebel	1
dh00460029		DH00460029 Klemmhebel	1
dh00460030		DH00460030 Klemmhebel M8x25	1
sko14e1267		SKO14E1267 Toothed clamp processed	1
sko14e1267		SKO14E1267 Toothed clamp processed	1
sko16b2092		SKO16B2092 Toothed clamp compl.	1
sko16b2093		SKO16B2093 Pan bar HD left back section	1
sko16b2094		SKO16B2094 Pan bar HD back section right	1
sko16b2095		SKO16B2095 Extension tupe assy right	1
sko16b2096		SKO16B2096 Extension tube assy Left	1
sko16b2099		SKO16B2099 Schwenkarm HD Vorderteil	1
sko16e0317		SKO16E0317 Pan bar lever	1
sko16e0321		SKO16E0321 SealingEnd screw	1
sko16e0321		SKO16E0321 SealingEnd screw	1
sko16e0322		SKO16E0322 Sleeve	1
szu16b2010		SZU16B2010 Winkelhandgriff	1
szu16p2000		SZU16P2000 Front pan bar	1