

Explosionszeichnung
Exploded View Drawing

Video 60 Plus

THE BROADCAST SHOP

www.TheBroadcastShop.com
(800) 447-1179

Technische Änderung vorbehalten.
Technical data are subject to change without notice.

Headquarter:

Sachtler GmbH

Gutenbergstrasse 5
85716 Unterschleißheim by Munich
Germany
Phone +49 89 32158200
Fax +49 89 32158227

Eastern Europe:

Sachtler

Vertriebsgesellschaft m.b.H.

Segelflieger Damm 67
12467 Berlin-Johannisthal
Germany
Phone +49 30 6364311
Fax +49 30 6363466

United States

**Mexico
Central / South America
Sachtler •
corporation of america**

New York Office:
55 North Main Street
Freeport, N.Y. 11520
Phone (516) 867 4900
Fax: (516) 623 6844

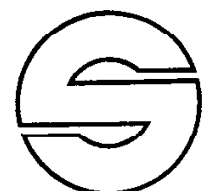
California Office:
3316 West Victory Blvd.
Burbank, CA 91505
Phone (818) 845 4446

アマミック・ザハトラー(株)

**Japan
Amic Sachtler Corp.**

東京都世田谷区三軒茶屋
1-2-21 〒154-0024

電話 (03)3413-1212
FAX (03)3413-0888

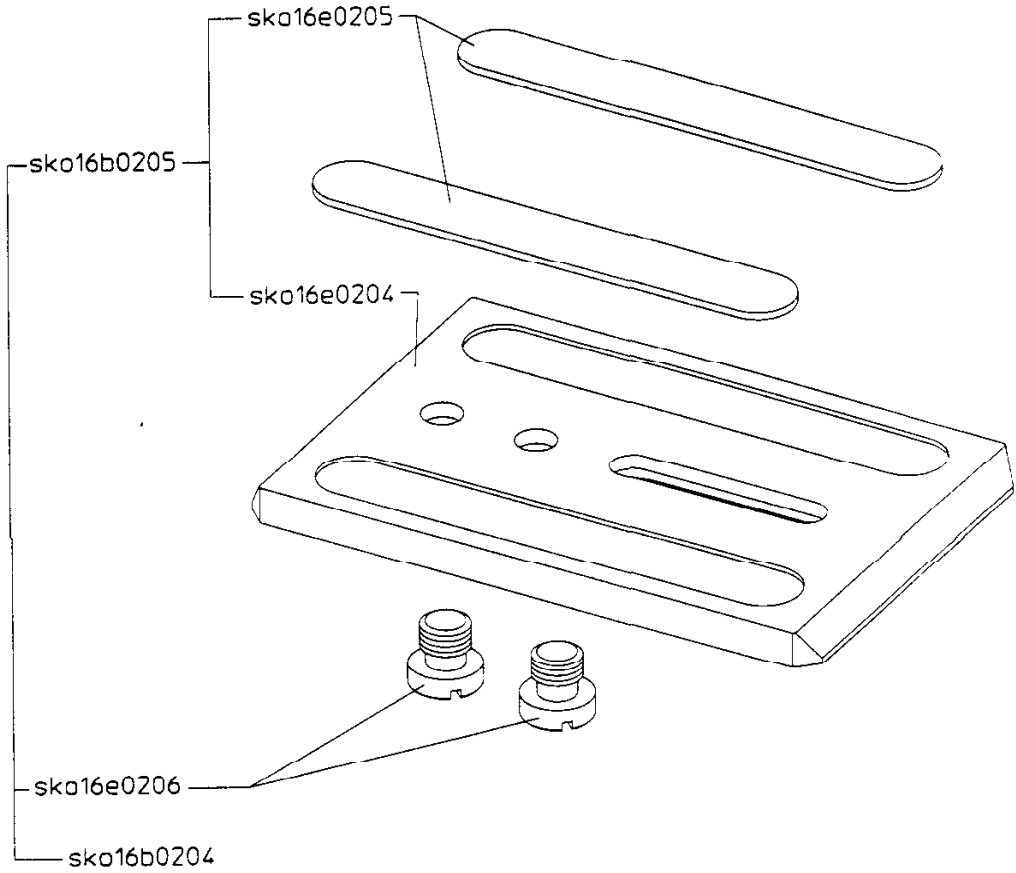


sachtler
Support & Lighting



THE BROADCAST SHOP

www.TheBroadcastShop.com
(800) 447-1179

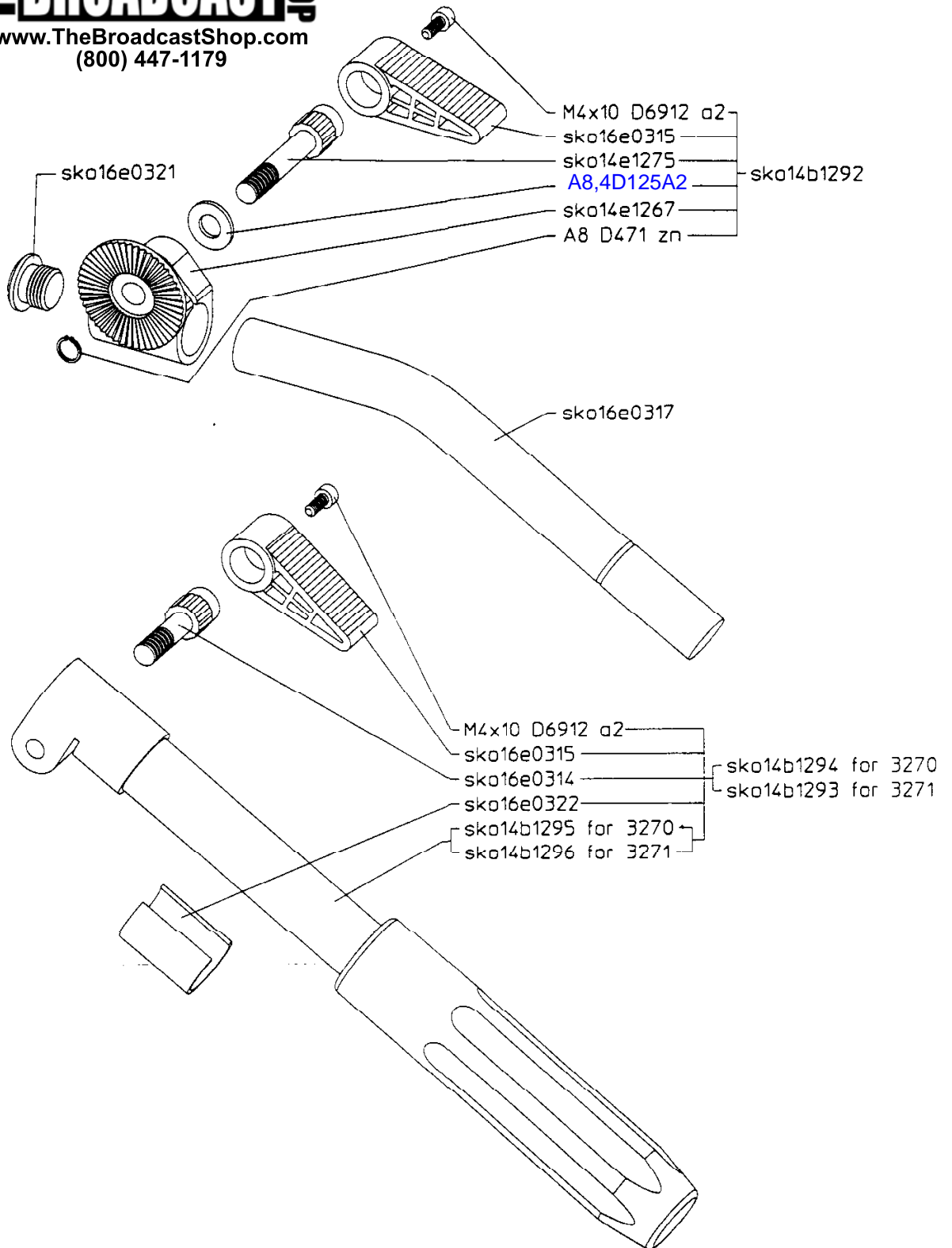


Kameraplatte 3051
Wedge plate 3051

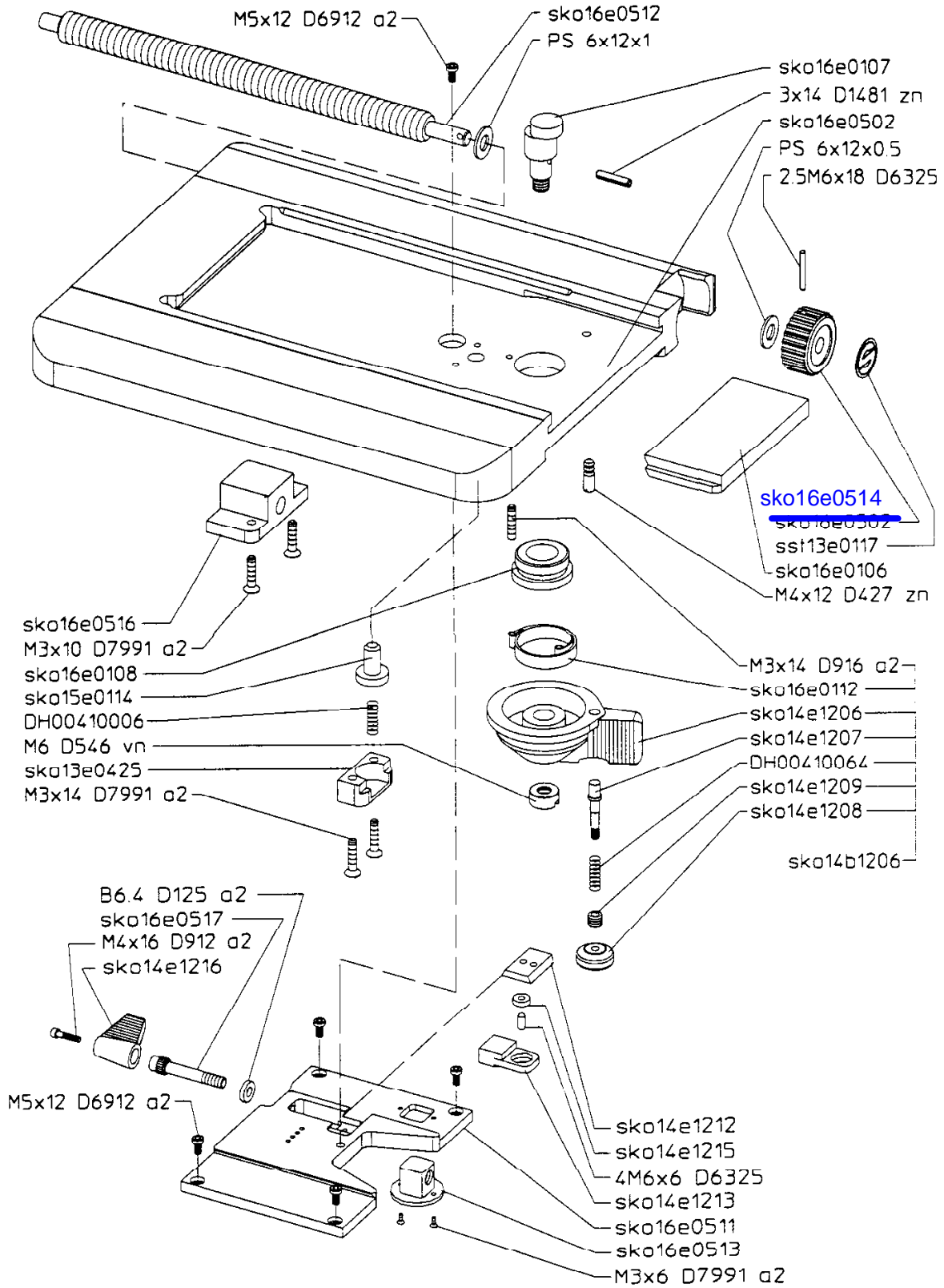


THE BROADCAST SHOP

www.TheBroadcastShop.com
(800) 447-1179



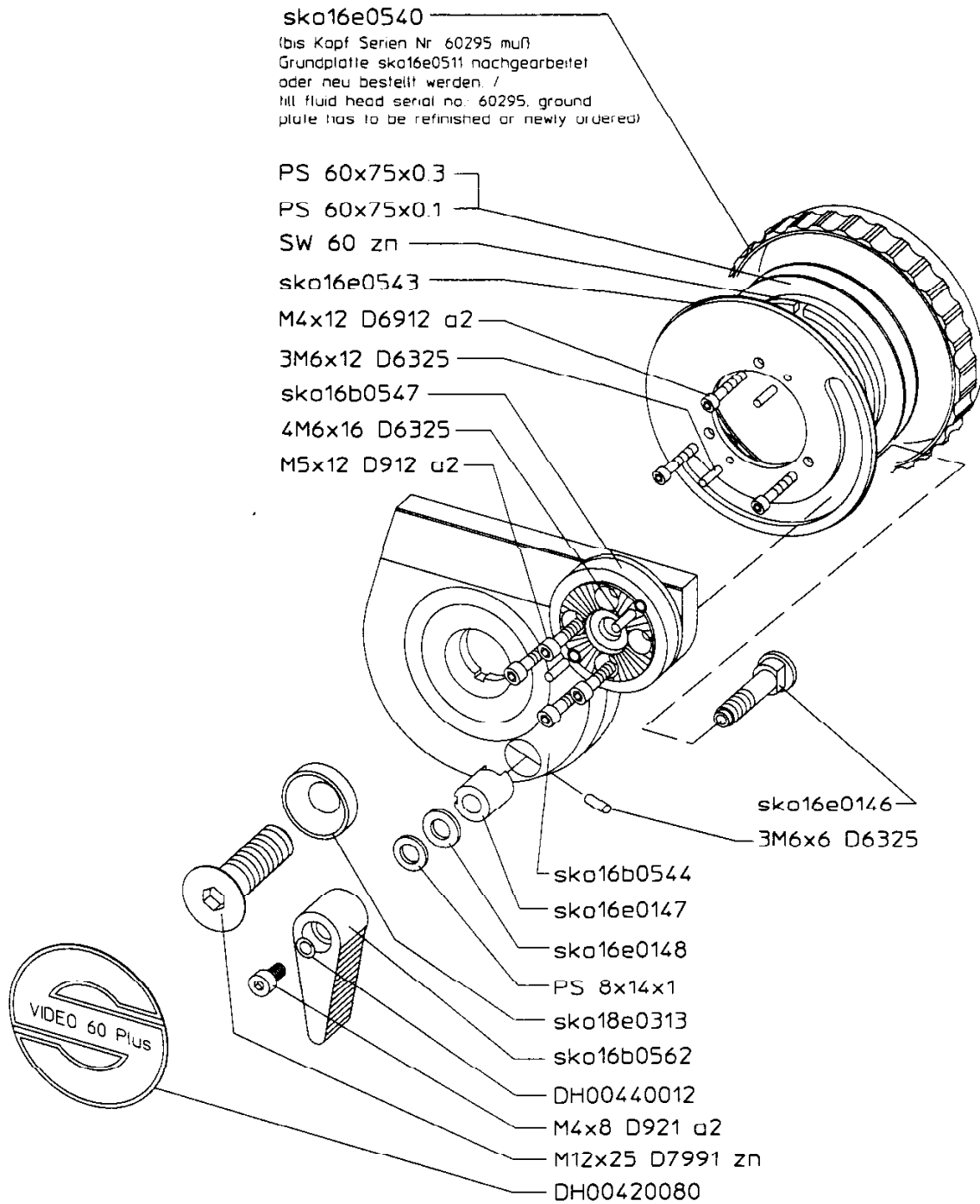
Schwenkarm rechts/right 3270
Pan arm links/left 3271



Verschiebeplatte
balance plate

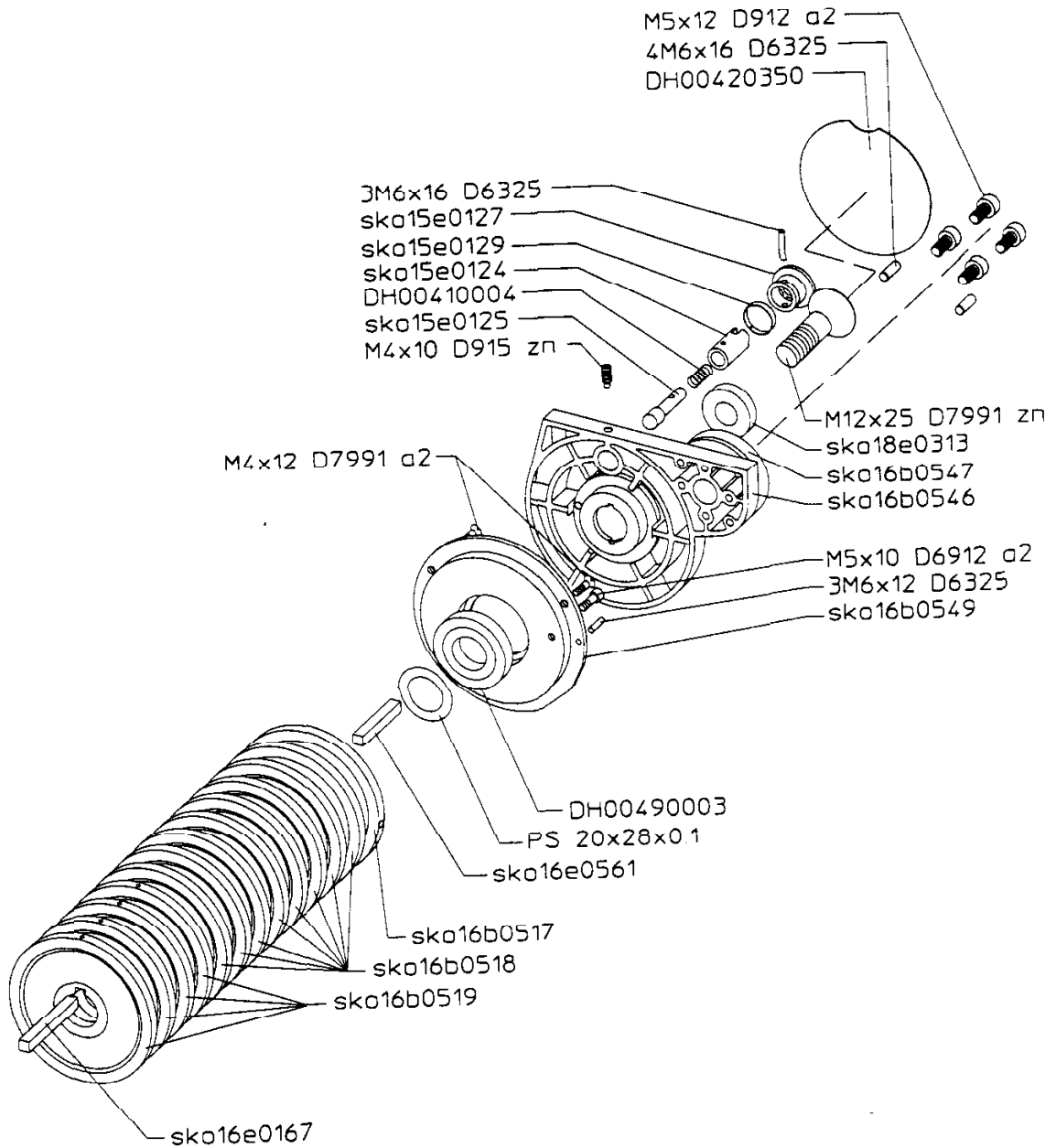


www.TheBroadcastShop.com
(800) 447-1179



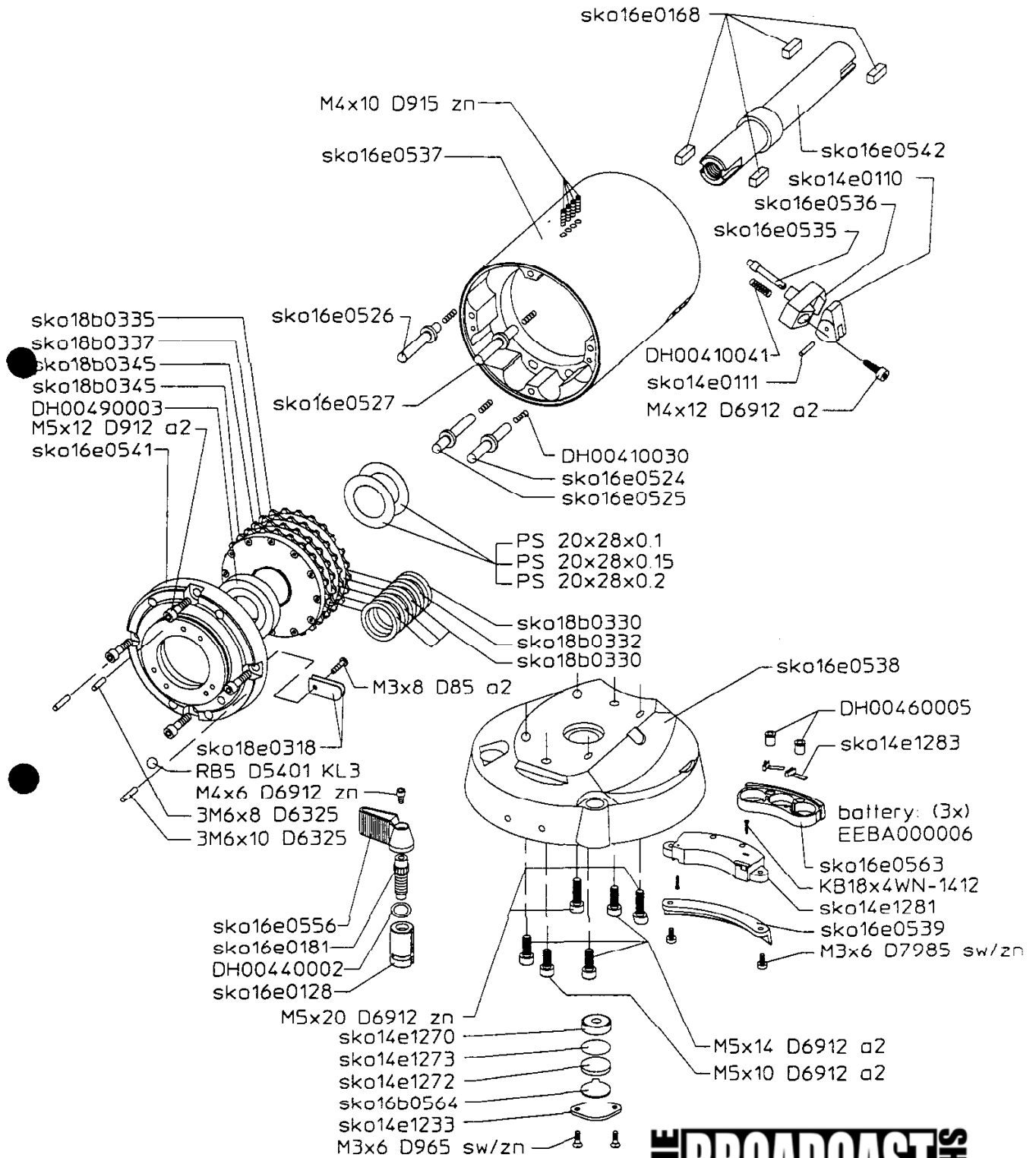
Bremseitenteil
 till brake assembly

THE BROADCAST SHOP
 www.TheBroadcastShop.com
 (800) 447-1179



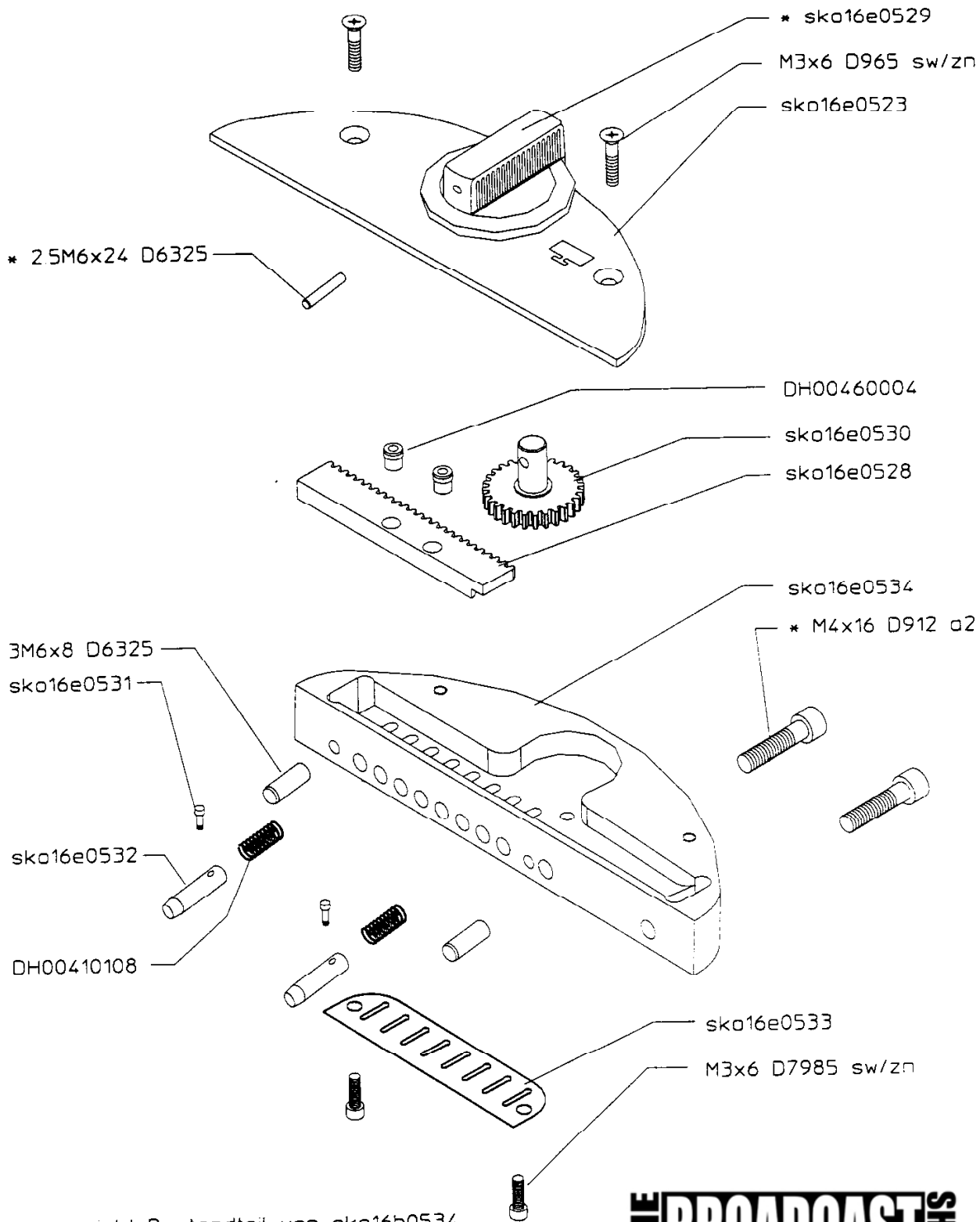
Ausgleichsfedern
balance spring assembly

THE BROADCAST SHOP
www.TheBroadcastShop.com
 (800) 447-1179



Ständer mit Dämpfungspaketen
vertical housing with fluid modules

THE BROADCAST SHOP
www.TheBroadcastShop.com
(800) 447-1179



* nicht Bestandteil von ska16b0534
 * not included in ska16b0534

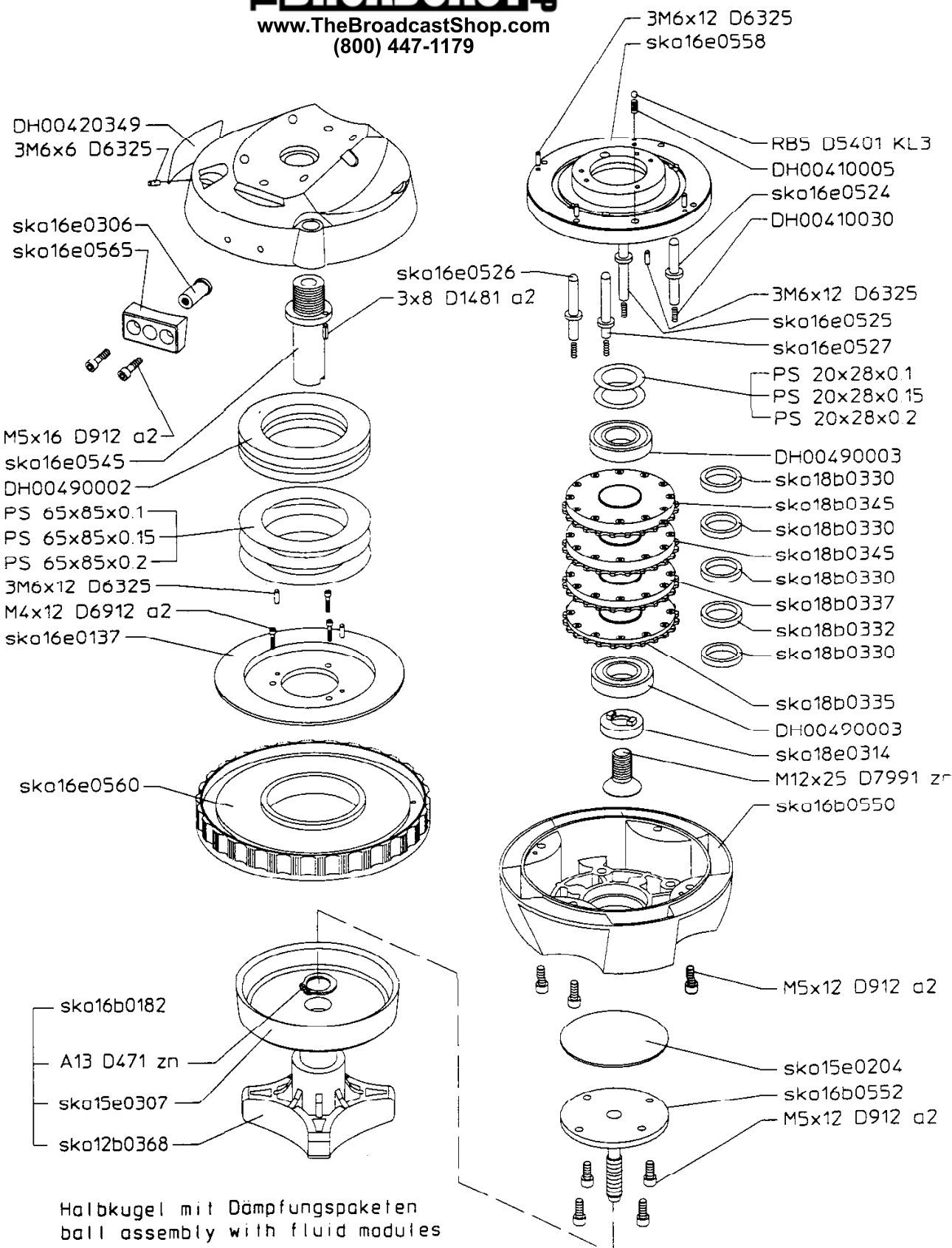
Schaltung Gewichtsausgleich ska16b0534
 counterbalance control

THE BROADCAST SHOP
 www.TheBroadcastShop.com
 (800) 447-1179

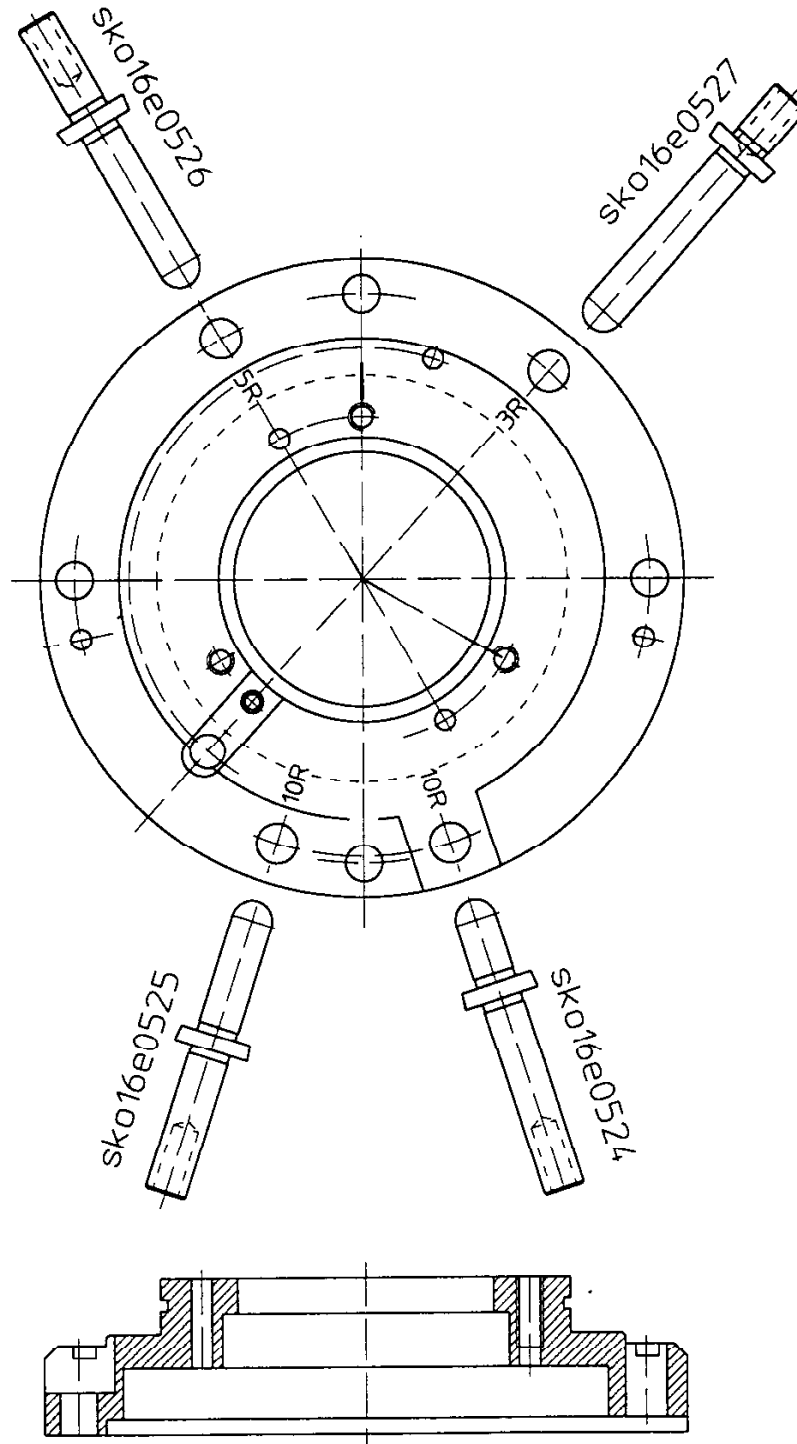


THE BROADCAST SHOP

www.TheBroadcastShop.com
(800) 447-1179



Halbkugel mit Dämpfungspaketen
ball assembly with fluid modules

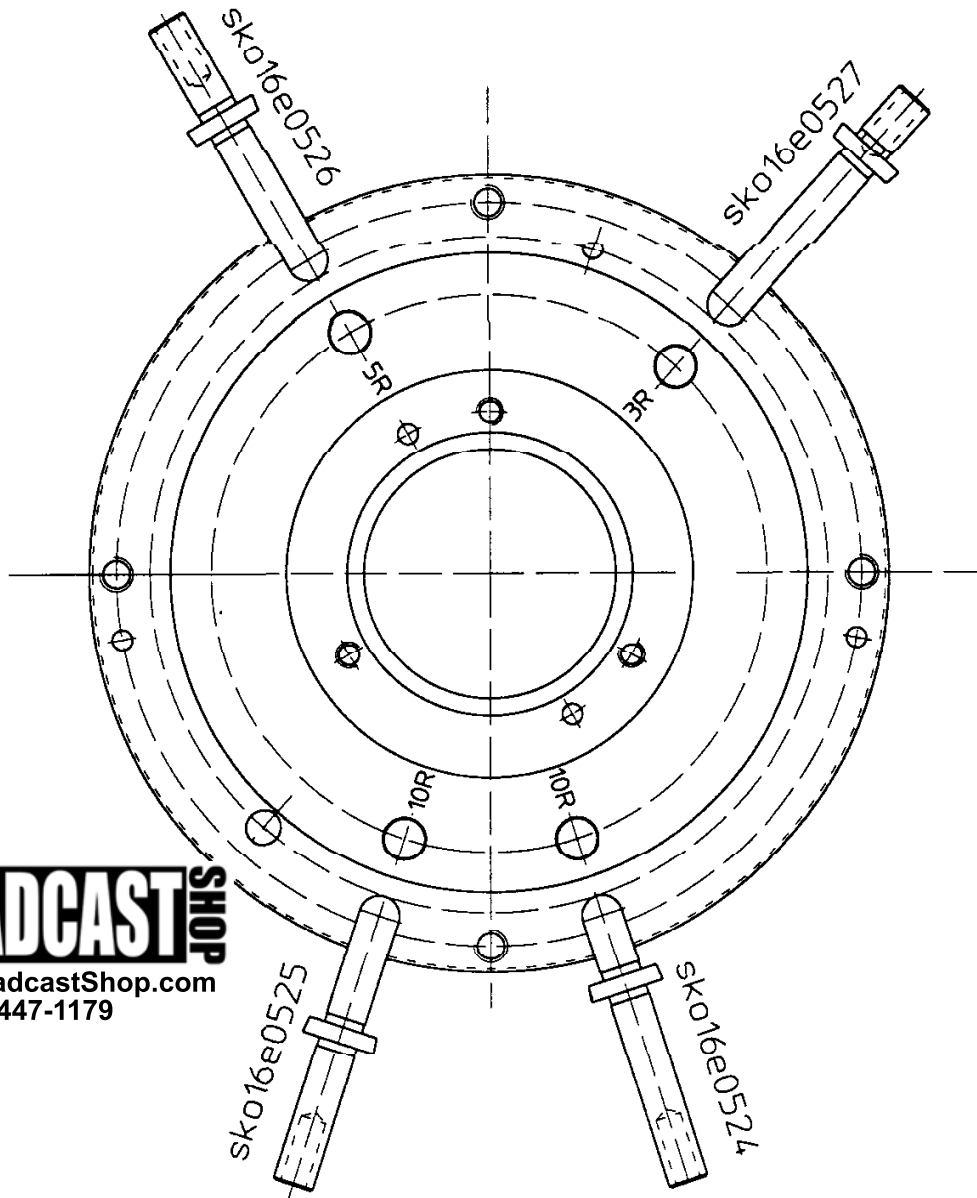


THE BROADCAST SHOP

www.TheBroadcastShop.com
(800) 447-1179

Raststift Montage, vertikal
Plunger pin for assembly, vertikal

Video 60 Plus
Video 60 Plus FB
Studio 9+9



THE BROADCAST SHOP
 www.TheBroadcastShop.com
 (800) 447-1179

Schaltstufe / step	0	1	2	3	4	5	6	7	8	9
Fluid assembly 3R	0	3	0	3	0	3	0	0	3	3
Fluid assembly 5R	0	0	5	5	0	0	5	0	0	5
Fluid assembly 10R	0	0	0	0	10	10	10	10	10	10
Fluid assembly 10R	0	0	0	0	0	0	0	10	10	10
	0	3	5	8	10	13	15	20	23	28

Raststift Montage, horizontal
 Plunger pin for assembly, horizontal

Video 60 Plus
 Video 60 Plus FB
 Studio 9+9