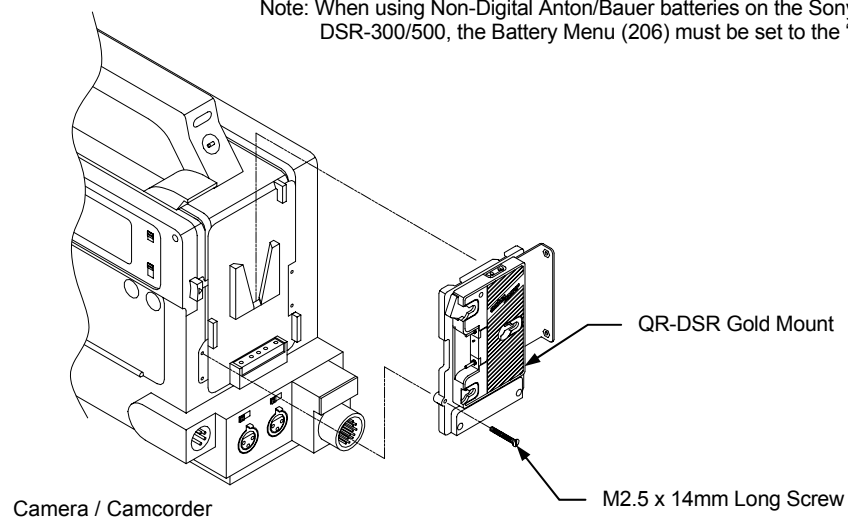




## QR-DSR Installation Instructions

Note: When using Non-Digital Anton/Bauer batteries on the Sony DSR-300/500, the Battery Menu (206) must be set to the "LI" mode.



**World Headquarters** 14 Progress Drive, Shelton, CT U.S.A.

**Europe** Eurode Business Center, Eurode-Park1, 6461KB Kerkrade, The Netherlands

[www.antonbauer.com](http://www.antonbauer.com)

Tel (203) 929-1100

Tel +31 45-563-9220

[support@antonbauer.com](mailto:support@antonbauer.com)

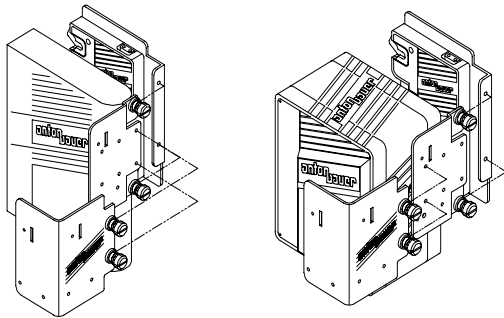
[eurosupport@antonbauer.com](mailto:eurosupport@antonbauer.com)

7595-0139 Rev F

**antonbauer** Available Separately

**ABWMK-KIT**  
Universal Mounting Plate for Wireless Receivers

- Allows user to use the same Wireless Receiver Plate for ALL Anton/Bauer Batteries.
- Allows a Receiver to be mounted on either the side of the Battery, behind the Battery, or both.
- Will accommodate WRB-185 and WRB-200 Wireless Receiver Compartments.



**WRB-185 and WRB-200**  
For Lestronics Style Receivers

- Attaches directly to any Anton/Bauer Wireless Receiver Plate.
- Able to “Piggy-Back” multiple Compartments.

WRB-185: Fits CR-175, CR-185, CR-187 and UCR-190 style Receivers

WRB-200: Fits UCR-195, UCR-195D, UCR-200D, UCR-205D, and UCR-210D style Receivers

