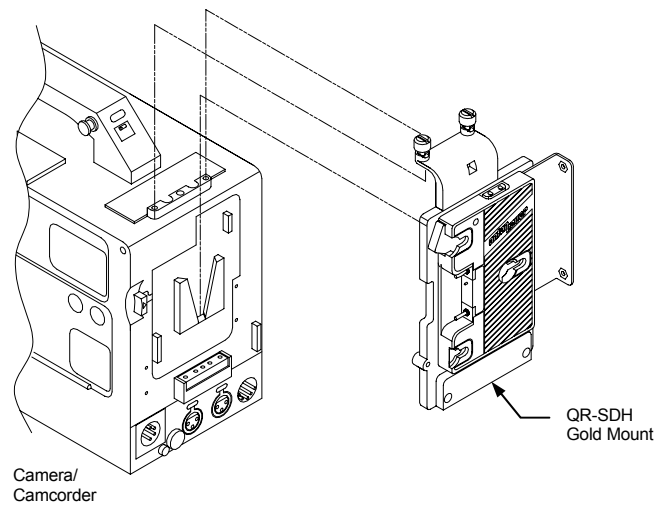




QR-SDH

Installation Instructions



World Headquarters 14 Progress Drive, Shelton, CT U.S.A.

Tel (203) 929-1100

support@antonbauer.com

Europe Eurode Business Center, Eurode-Park1, 6461KB Kerkrade, The Netherlands

Tel +31 45-563-9220

eurosupport@antonbauer.com

www.antonbauer.com

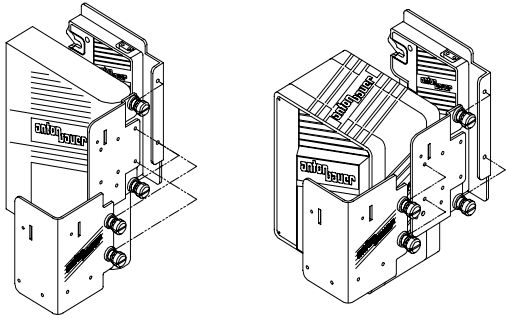
7595-0138 Rev G



Available Separately

ABWMK-KIT Universal Mounting Plate for Wireless Receivers

- Allows user to use the same Wireless Receiver Plate for ALL Anton/Bauer Batteries.
- Allows a Receiver to be mounted on either the side of the Battery, behind the Battery, or both.
- Will accommodate WRB-185 and WRB-200 Wireless Receiver Compartments.



WRB-185 and WRB-200 For Lestronics Style Receivers

- Attaches directly to any Anton/Bauer Wireless Receiver Plate.
- Able to “Piggy-Back” multiple Compartments.

WRB-185: Fits CR-175, CR-185, CR-187 and UCR-190 style Receivers

WRB-200: Fits UCR-195, UCR-195D, UCR-200D, UCR-205D, and UCR-210D style Receivers

